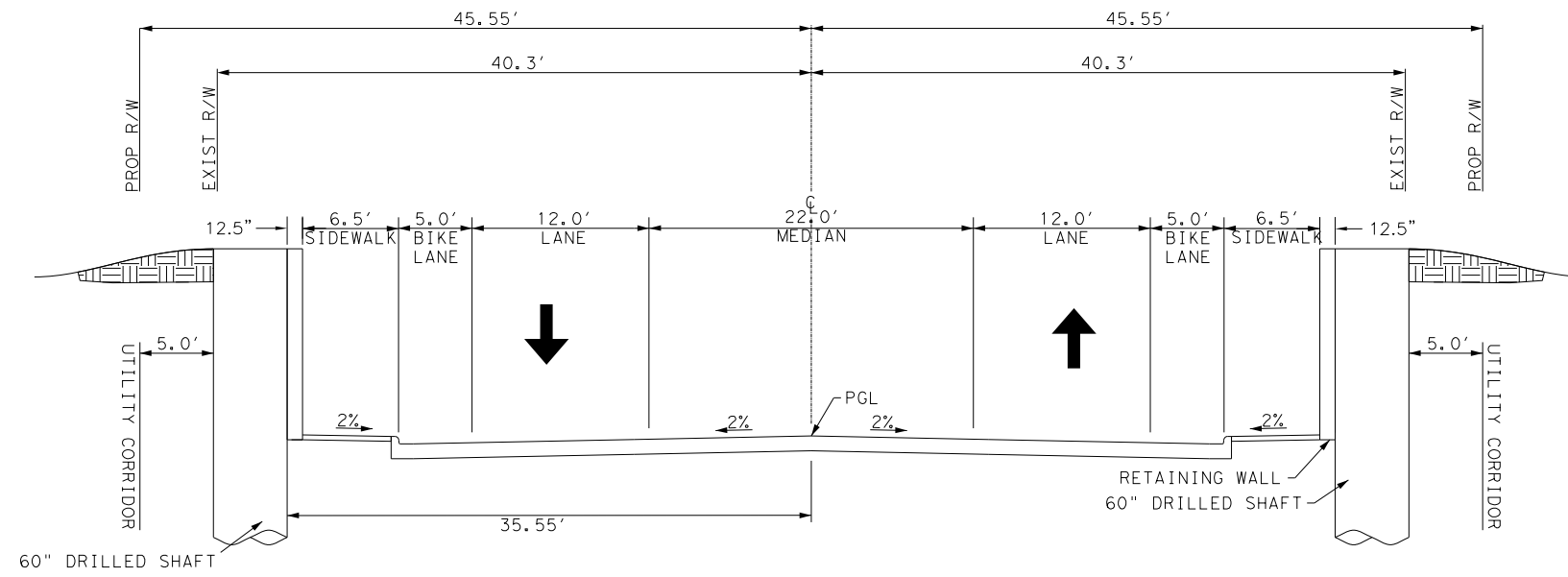
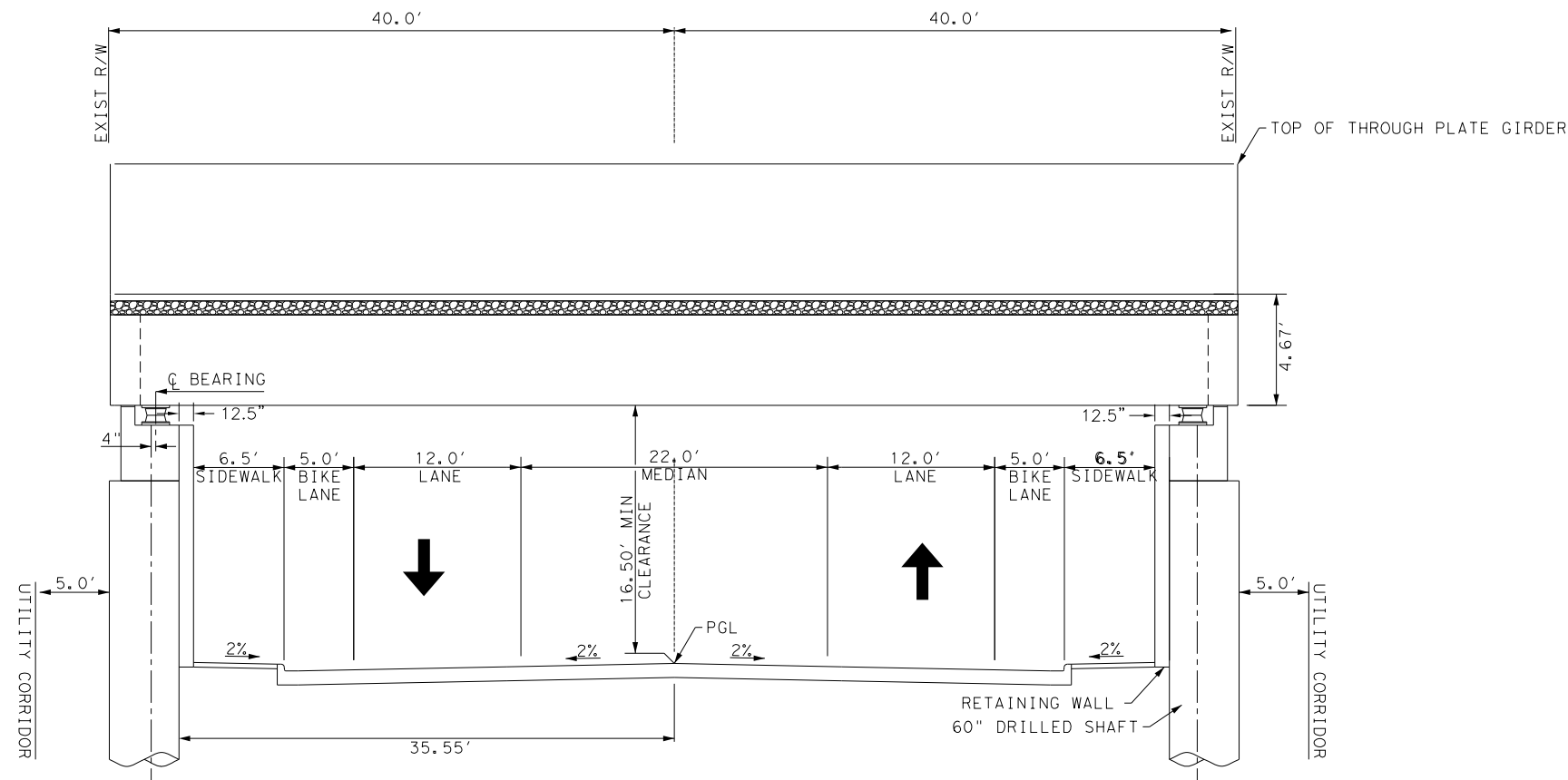


THIS DOCUMENT IS INCOMPLETE AND IS RELEASED FOR THE PURPOSE OF INTERIM REVIEW ONLY UNDER THE AUTHORITY OF THOMAS R. MUNSON, P.E. ON DECEMBER 10, 2014; IT IS NOT TO BE USED FOR CONSTRUCTION, BIDDING, OR PERMIT PURPOSES.



COMMERCE STREET TYPICAL SECTION

NOTE:  
UTILITY AGREEMENT WITH  
RAILROAD REQUIRED



COMMERCE STREET TYPICAL SECTION AT BRIDGE  
HB&T WEST BELT DIVISION

THESE ARE PRELIMINARY DESIGN CONCEPTS  
SUBJECT TO CHANGE WITHOUT NOTICE RESULTING FROM  
SUBSEQUENT REVIEW AND FURTHER DESIGN DEVELOPMENT

Plotted on: \$TIME\$

Design File name: DGN\$SPEC\$

COMMERCE STREET  
TYPICAL SECTIONS

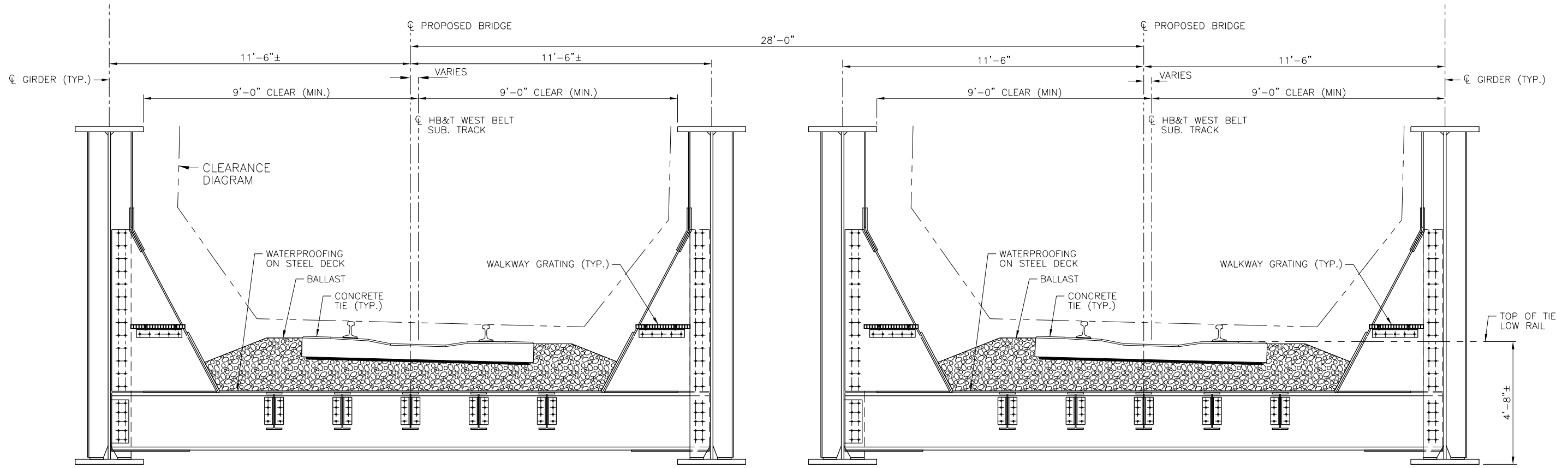
WEST BELT  
IMPROVEMENTS



2777 ALLEN PARKWAY, SUITE 500  
HOUSTON, TX 77019  
TX REG. ENG. FIRM  
F-3557



THIS DOCUMENT IS INCOMPLETE AND IS RELEASED FOR THE PURPOSE OF INTERIM REVIEW ONLY UNDER THE AUTHORITY OF THOMAS R. MUNSON, P.E. ON DECEMBER 10, 2014; IT IS NOT TO BE USED FOR CONSTRUCTION, BIDDING, OR PERMIT PURPOSES.



HB&T WEST BELT SUBDIVISION OVER COMMERCE STREET

THESE ARE PRELIMINARY DESIGN CONCEPTS  
SUBJECT TO CHANGE WITHOUT NOTICE RESULTING FROM  
SUBSEQUENT REVIEW AND FURTHER DESIGN DEVELOPMENT

Plotted on: \$TIME\$

Design File name: DGN\$SPEC\$

COMMERCE STREET  
TYPICAL SECTIONS

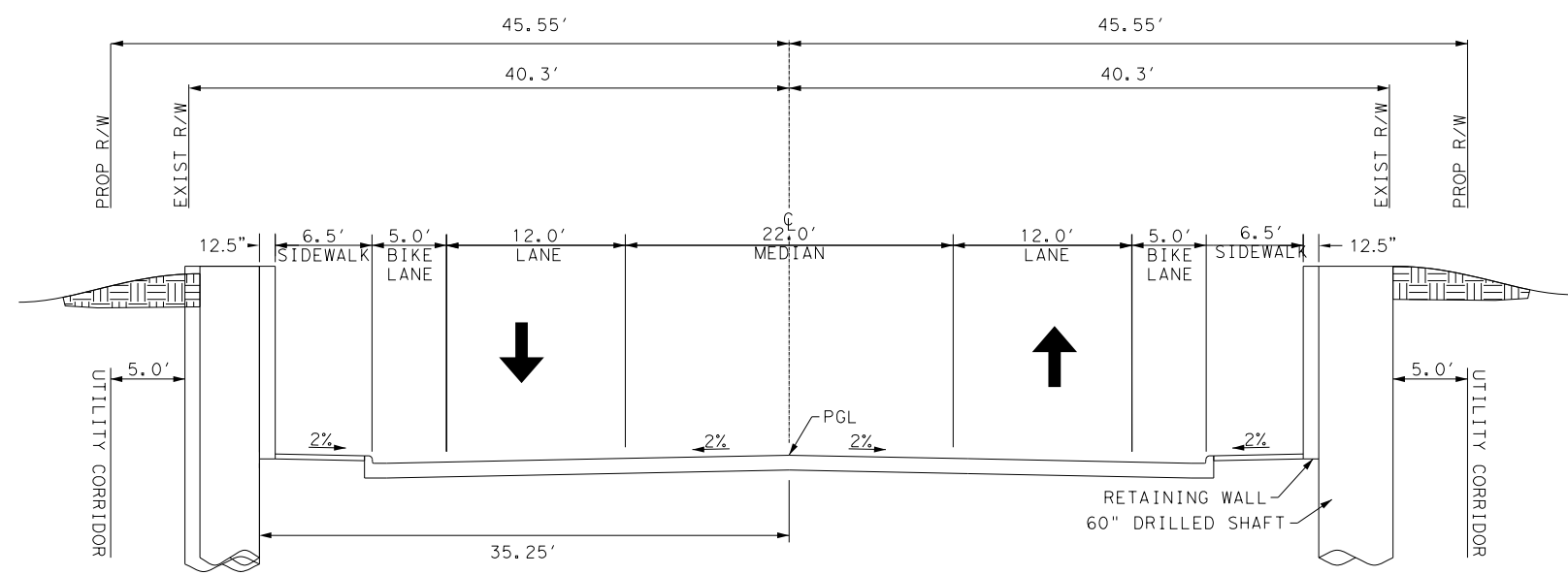
WEST BELT  
IMPROVEMENTS



2777 ALLEN PARKWAY, SUITE 500  
HOUSTON, TX 77019  
TX REG. ENG. FIRM  
F-3557

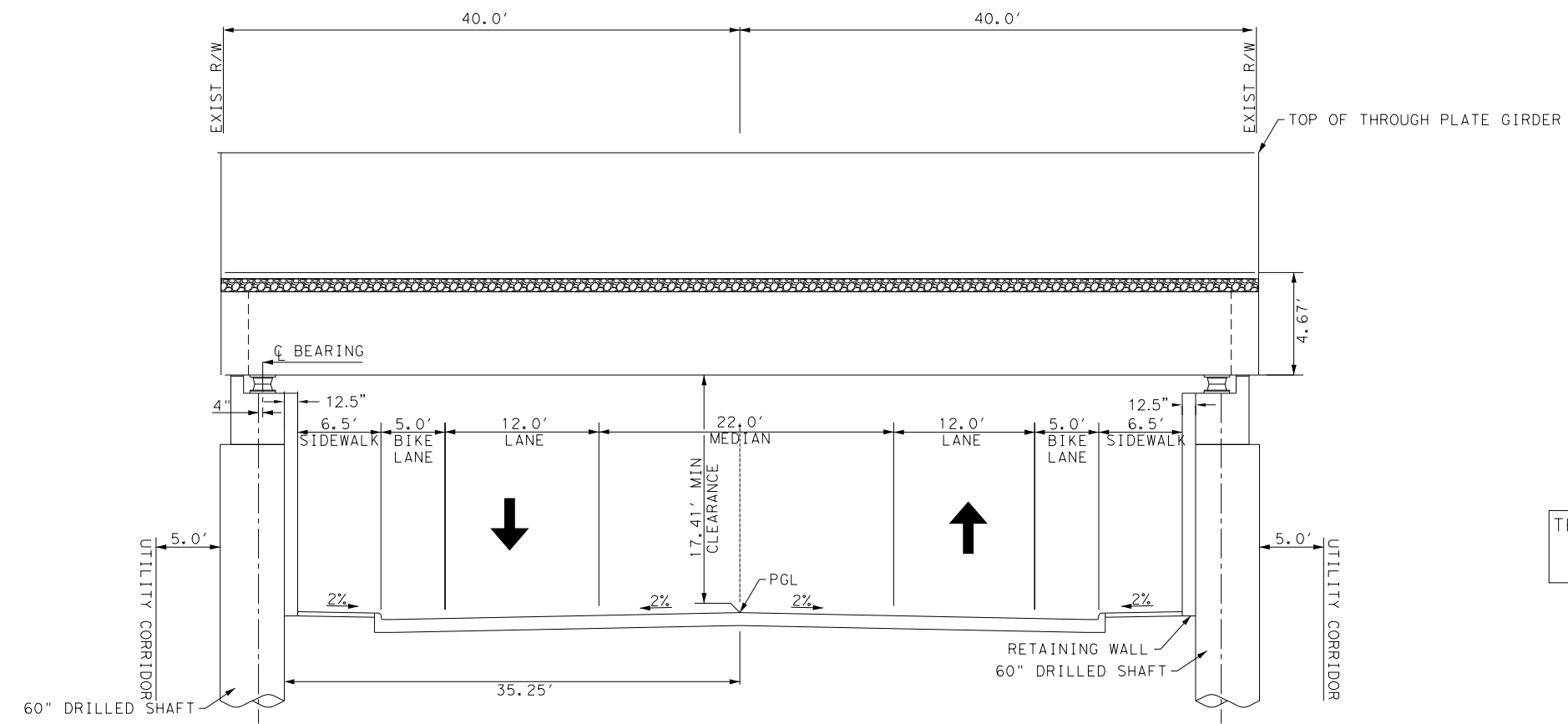


THIS DOCUMENT IS INCOMPLETE AND IS RELEASED FOR THE PURPOSE OF INTERIM REVIEW ONLY UNDER THE AUTHORITY OF THOMAS R. MUNSON, P.E. ON DECEMBER 10, 2014; IT IS NOT TO BE USED FOR CONSTRUCTION, BIDDING, OR PERMIT PURPOSES.



NAVIGATION BOULEVARD TYPICAL SECTION

NOTE:  
UTILITY AGREEMENT WITH  
RAILROAD REQUIRED



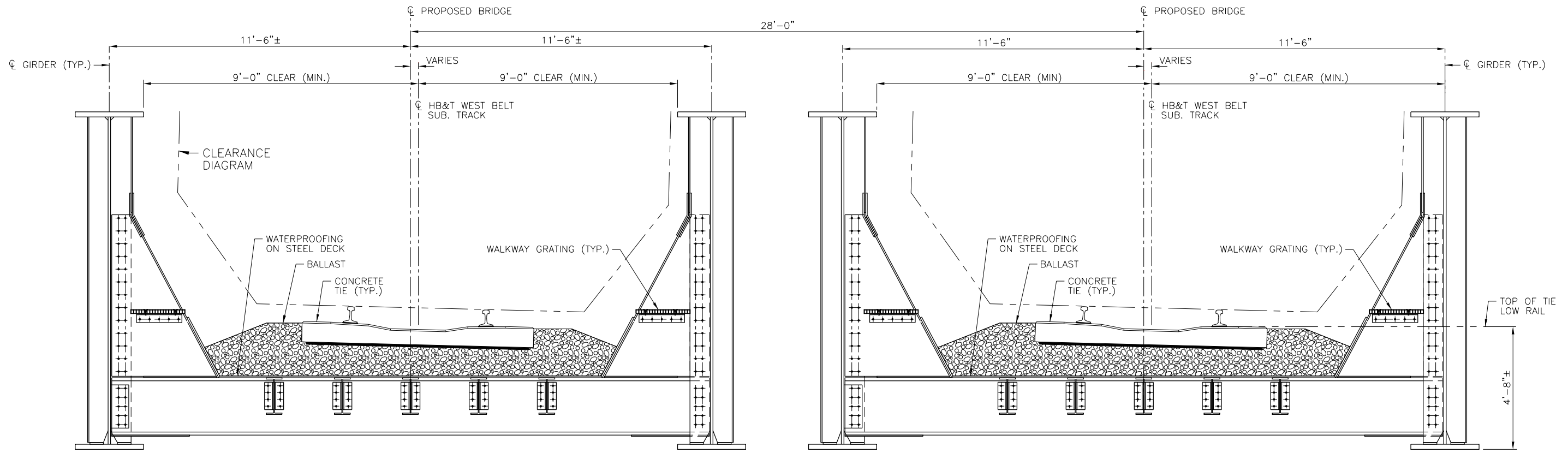
NAVIGATION BOULEVARD TYPICAL SECTION AT BRIDGE  
HB&T WEST BELT DIVISION

THESE ARE PRELIMINARY DESIGN CONCEPTS  
SUBJECT TO CHANGE WITHOUT NOTICE RESULTING FROM  
SUBSEQUENT REVIEW AND FURTHER DESIGN DEVELOPMENT

Plotted on: \$TIME\$

Design File name: DGN\$SPEC\$

THIS DOCUMENT IS INCOMPLETE AND IS RELEASED FOR THE PURPOSE OF INTERIM REVIEW ONLY UNDER THE AUTHORITY OF THOMAS R. MUNSON, P.E. ON DECEMBER 10, 2014; IT IS NOT TO BE USED FOR CONSTRUCTION, BIDDING, OR PERMIT PURPOSES.



HB&T WEST BELT SUBDIVISION  
OVER NAVIGATION STREET

THESE ARE PRELIMINARY DESIGN CONCEPTS  
SUBJECT TO CHANGE WITHOUT NOTICE RESULTING FROM  
SUBSEQUENT REVIEW AND FURTHER DESIGN DEVELOPMENT

Plotted on: \$TIME\$

Design File name: DGN\$SPEC\$

NAVIGATION BOULEVARD  
TYPICAL SECTIONS

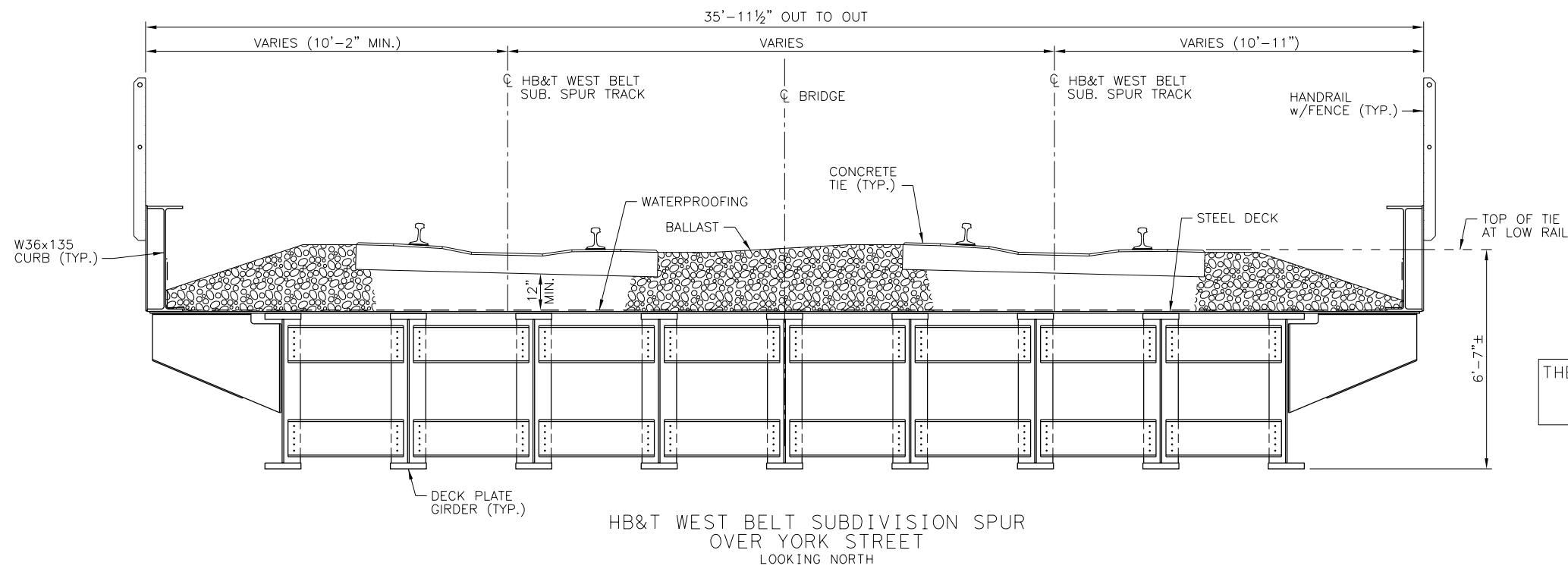
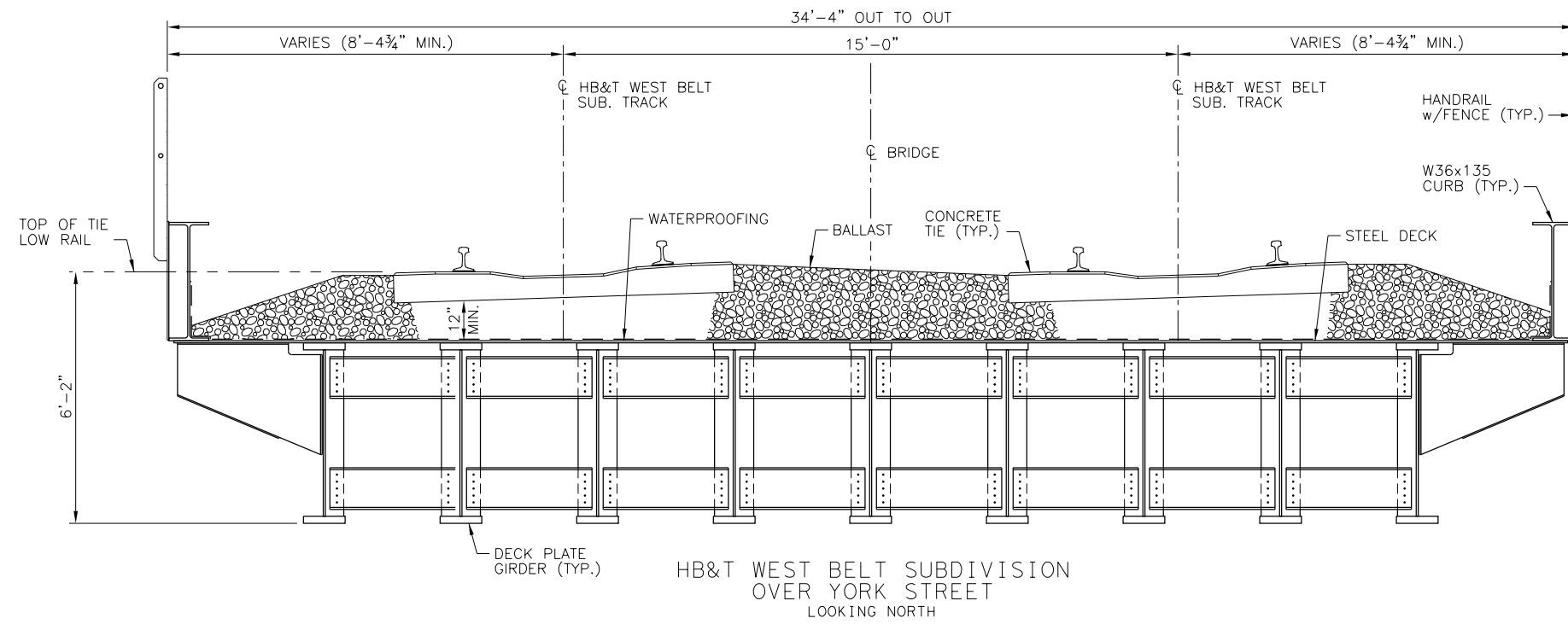
WEST BELT  
IMPROVEMENTS



2777 ALLEN PARKWAY, SUITE 500  
HOUSTON, TX 77019  
TX REG. ENG. FIRM  
F-3557



THIS DOCUMENT IS INCOMPLETE AND IS RELEASED FOR THE PURPOSE OF INTERIM REVIEW ONLY UNDER THE AUTHORITY OF THOMAS R. MUNSON, P.E. ON DECEMBER 10, 2014; IT IS NOT TO BE USED FOR CONSTRUCTION, BIDDING, OR PERMIT PURPOSES.



THESE ARE PRELIMINARY DESIGN CONCEPTS  
 SUBJECT TO CHANGE WITHOUT NOTICE RESULTING FROM  
 SUBSEQUENT REVIEW AND FURTHER DESIGN DEVELOPMENT

Plotted on: \$TIME\$

Design File name: DGN\$SPEC\$

YORK STREET  
 TYPICAL SECTIONS

WEST BELT  
 IMPROVEMENTS



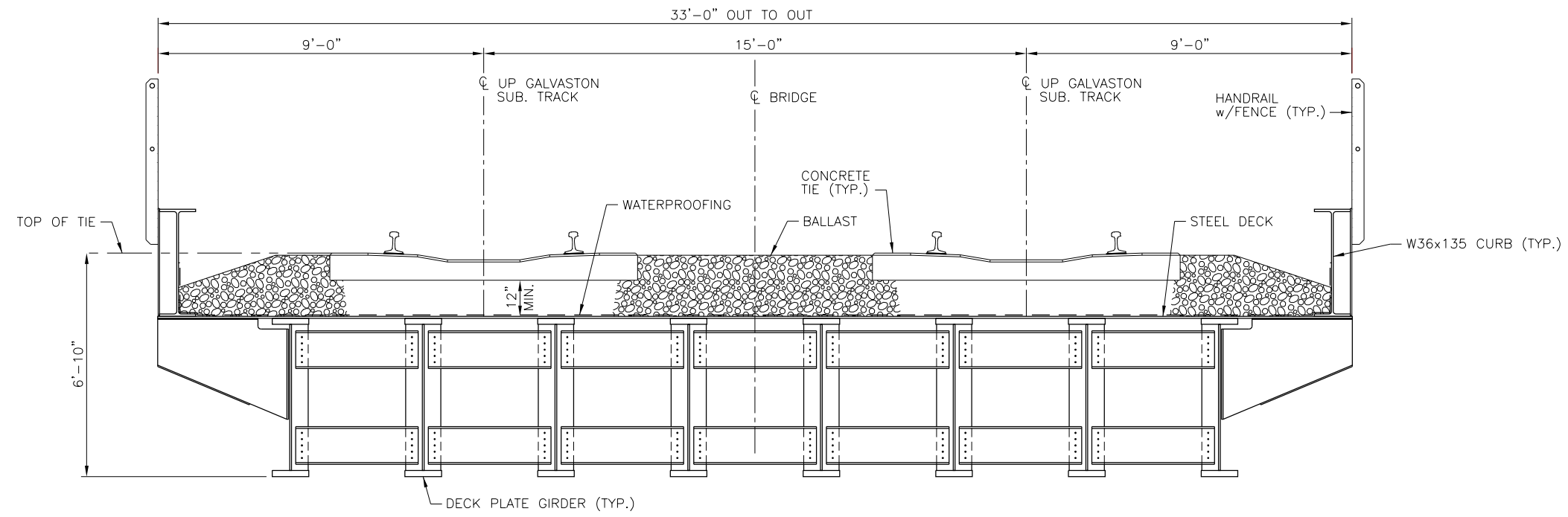
2777 ALLEN PARKWAY, SUITE 500  
 HOUSTON, TX 77019  
 TX REG. ENG. FIRM  
 F-3557



Plotted on: \$TIME\$

Design File name: DGN\$SPEC\$

THIS DOCUMENT IS INCOMPLETE AND IS RELEASED FOR THE PURPOSE OF INTERIM REVIEW ONLY UNDER THE AUTHORITY OF THOMAS R. MUNSON, P.E. ON DECEMBER 10, 2014; IT IS NOT TO BE USED FOR CONSTRUCTION, BIDDING, OR PERMIT PURPOSES.

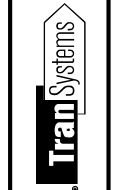


U.P. GALVESTON SUBDIVISION  
OVER YORK STREET  
LOOKING NORTH

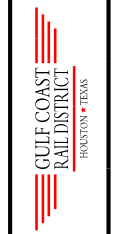
THESE ARE PRELIMINARY DESIGN CONCEPTS  
SUBJECT TO CHANGE WITHOUT NOTICE RESULTING FROM  
SUBSEQUENT REVIEW AND FURTHER DESIGN DEVELOPMENT

YORK STREET  
TYPICAL SECTIONS

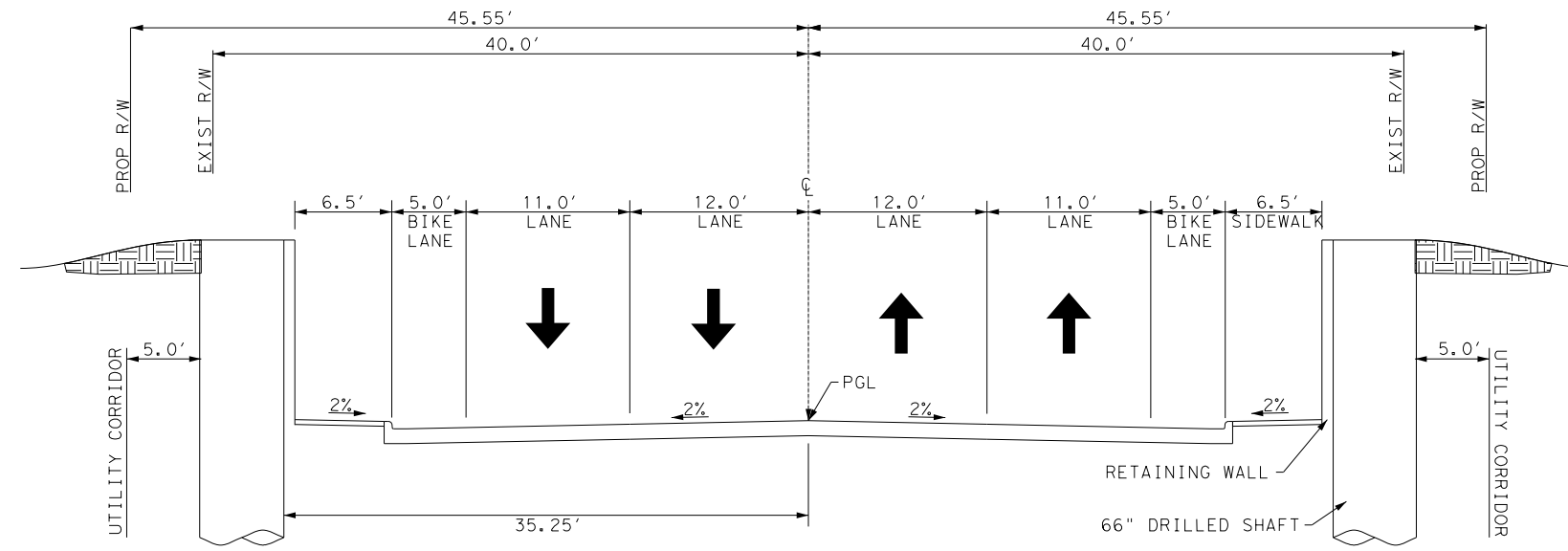
WEST BELT  
IMPROVEMENTS



2777 ALLEN PARKWAY, SUITE 500  
HOUSTON, TX 77019  
TX REG. ENG. FIRM  
F-3557

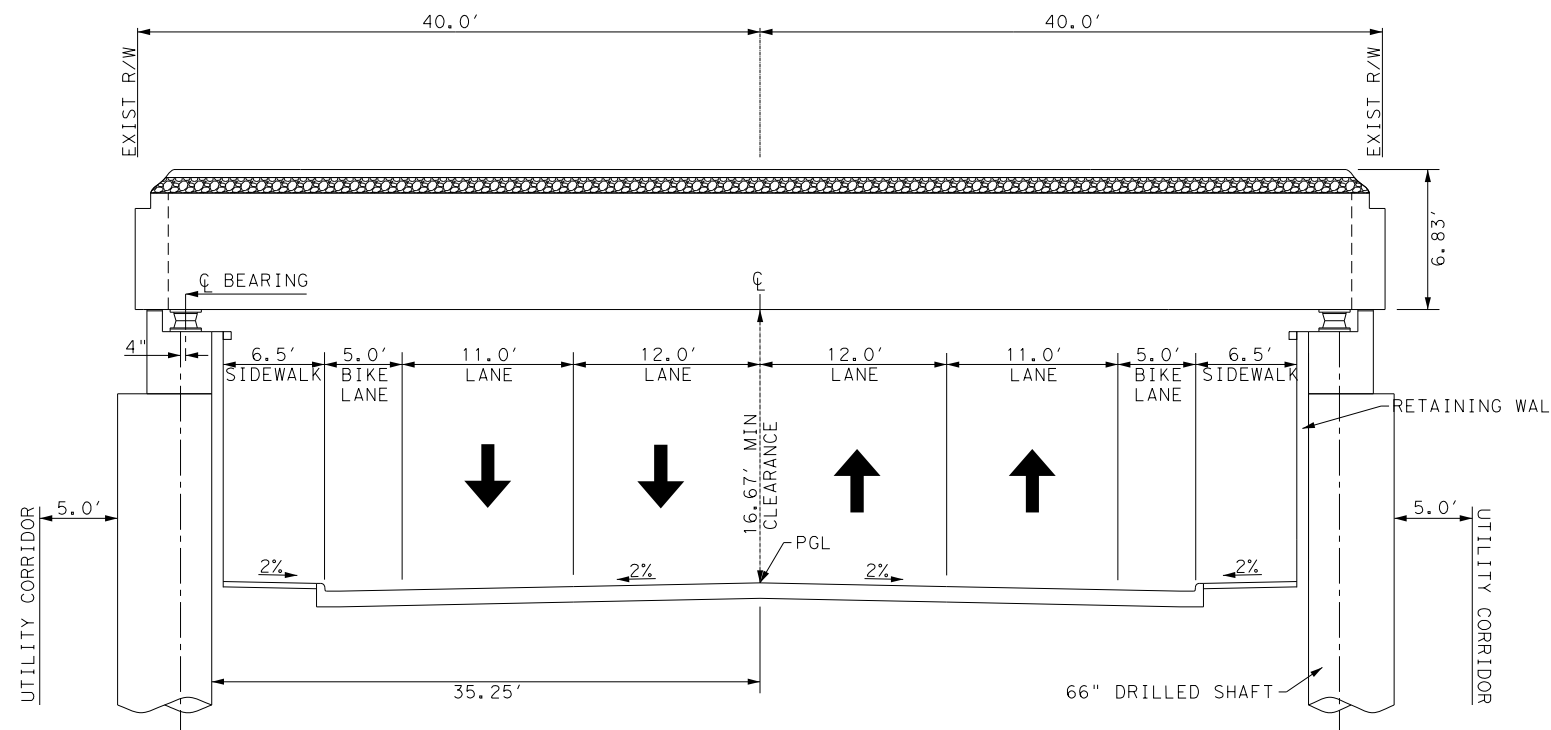


THIS DOCUMENT IS INCOMPLETE AND IS RELEASED FOR THE PURPOSE OF INTERIM REVIEW ONLY UNDER THE AUTHORITY OF THOMAS R. MUNSON, P.E. ON DECEMBER 10, 2014; IT IS NOT TO BE USED FOR CONSTRUCTION, BIDDING, OR PERMIT PURPOSES.



YORK STREET TYPICAL SECTION

NOTE:  
UTILITY AGREEMENT WITH  
RAILROAD REQUIRED



YORK GRADE TYPICAL SECTION AT BRIDGE  
U.P. GALVESTON SUBDIVISION

THESE ARE PRELIMINARY DESIGN CONCEPTS  
SUBJECT TO CHANGE WITHOUT NOTICE RESULTING FROM  
SUBSEQUENT REVIEW AND FURTHER DESIGN DEVELOPMENT

Plotted on: \$TIME\$

Design File name: DGN\$SPEC\$