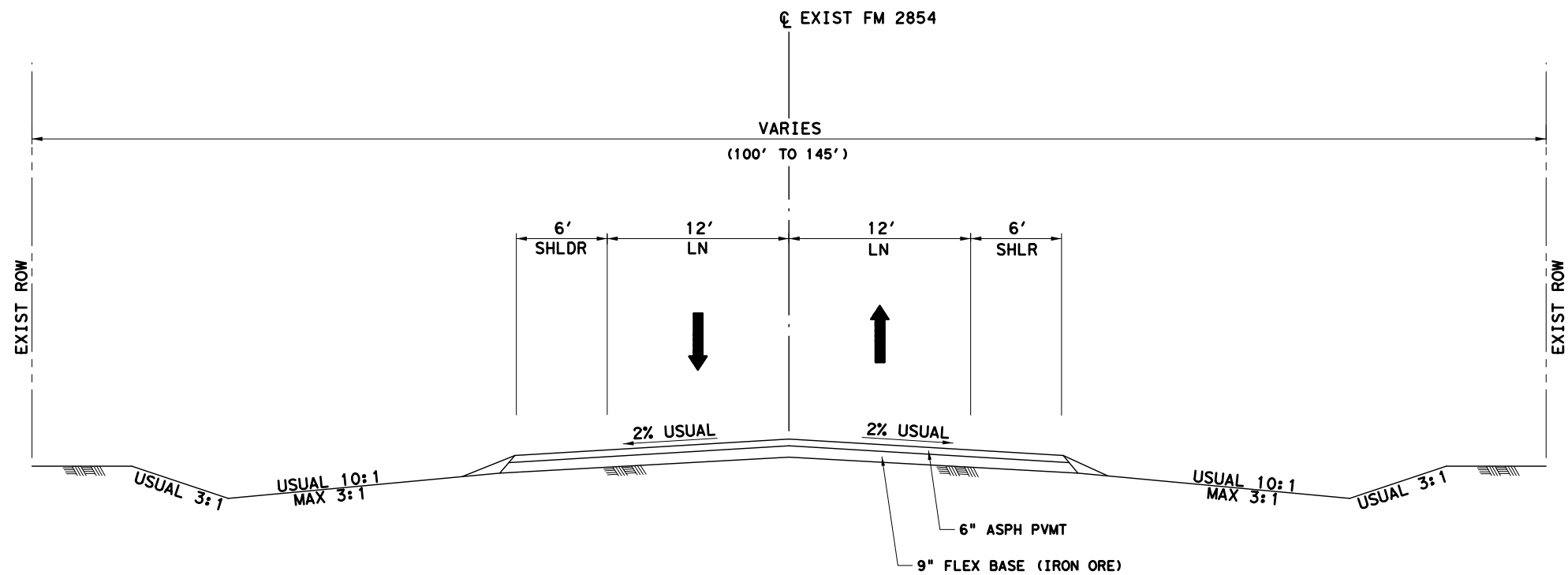


DATE: 6/15/2014
 FILE: R:\22207039\CADD\Sheets\011GXT_01.dgn



EXIST TYPICAL SECTION (NTS)

INTERIM REVIEW DOCUMENT ONLY
 This document is released to
 TxDOT on June 6, 2014, by
 Derron S. Vincik, P.E. No. 84028
 and is not intended
 for construction, bidding
 or permitting.

NO.	DATE	REVISION	APPROV.



PGAL TYPE REG. NO. F-2742
 3131 Briarpark, Suite 200
 Houston, Texas 77042
 (713) 622-1444

FM 2854 - RECONSTRUCTION

EXIST TYPICAL SECTION

SHEET 1 OF 1

DSN:	FED. RD. DIV. NO.	STATE	PROJECT NO.	HIGHWAY NO.
CK:	6	TEXAS		FM2854
DRN:	STATE DISTRICT	COUNTY	CONTROL NO.	SECTION NO.
CK:	HOU	MONTGOM.	2744	01
				JOB NO.
				011
				SHEET NO.
				5

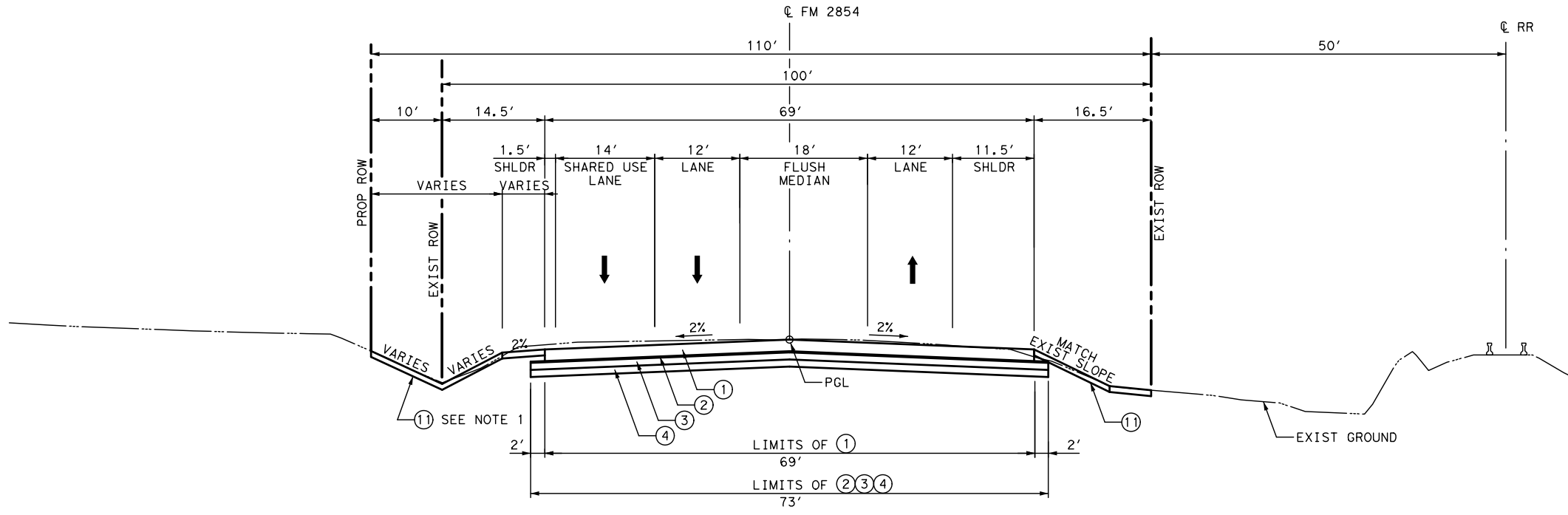
R:\22207039\CADD\Sheets\011GXT*01.dgn

LEGEND:

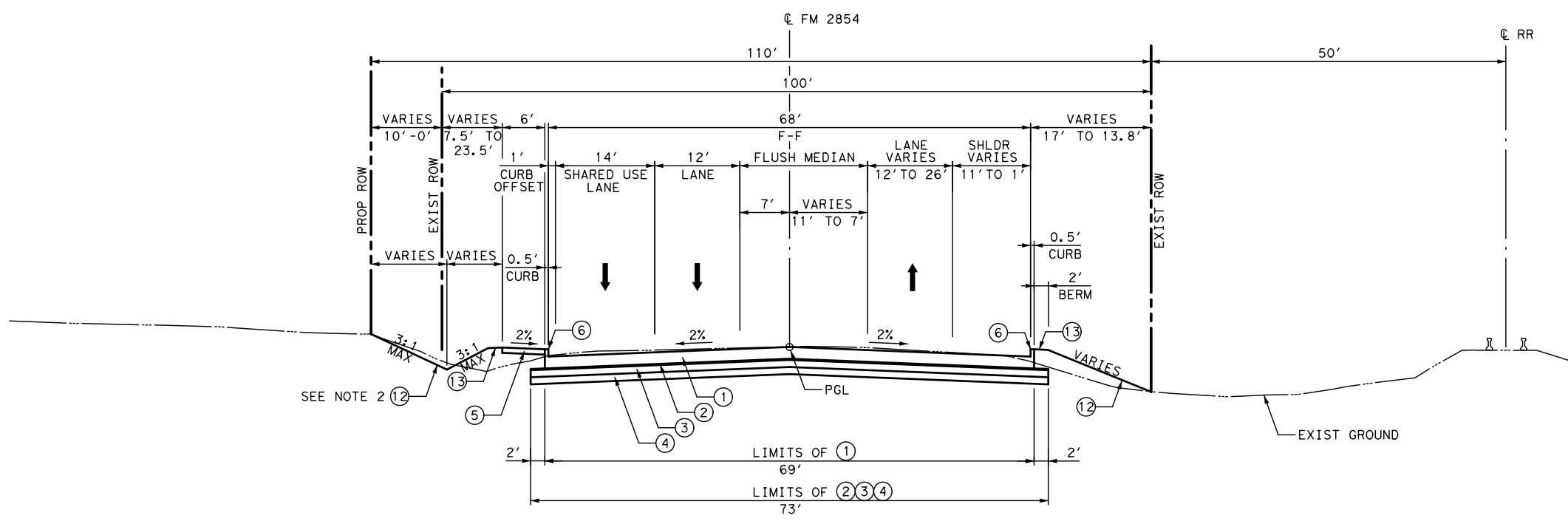
- ① 10" CRCP
- ② 1" ASB
- ③ 6" CEMENT TREATED BASE
- ④ 6" LIME OR CEMENT TREATED SUBGRADE
- ⑤ 4½" CONC SIDEWALK
- ⑥ 6" MONO CURB
- ⑦ 6" CONC DRIVEWAY (SEE DRWY DTLS)
- ⑧ MBGF
- ⑨ PED RAMP
- ⑩ RETAINING WALL (SEE WALL LAYOUTS)
- ⑪ RIPRAP (CONC) (CL B) (5")
- ⑫ BROADCAST SEED
- ⑬ BLOCK SODDING
- ⑭ COMBINATION RAIL TY C402
- ⑮ 1½" D-GR HMA (QCQA) TY-D
- ⑯ 1½" D-GR HMA (QCQA) TY-D (LEVEL-UP)
- ⑰ 10" ASB
- ⑱ MOW STRIP
- (X) TYPICAL SECTION DESIGNATOR
- ➔ DIRECTION OF TRAFFIC

NOTES:

1. RIPRAP SLOPES TO BE CONSTRUCTED ON WESTBOUND DITCHES BETWEEN STATIONS 158+11.86 AND STA 159+04.58. SEE PLAN & PROFILE SHEETS.



PROPOSED TYPICAL SECTION (NTS) A
 STA 156+60.00 TO STA 156+70.00
 STA 156+70.00 TO STA 156+90.00 (WB)



PROPOSED TYPICAL SECTION (NTS) B
 STA 156+70.00 TO STA 156+90.00 (EB)
 STA 156+90.00 TO STA 160+70.50
 STA 160+70.50 TO STA 161+16.14 (WB)

INTERIM REVIEW DOCUMENT ONLY
 This document is released to
 TxDOT on June 6, 2014, by
 Ryan Josefovsky, P.E.
 No. 98641 and is not intended
 for construction, bidding
 or permitting.

NO.	DATE	REVISION	APPROV.



PGAL TYPE REG. NO. F-2742
 3131 Briarpark, Suite 200
 Houston, Texas 77042
 (713) 622-1444

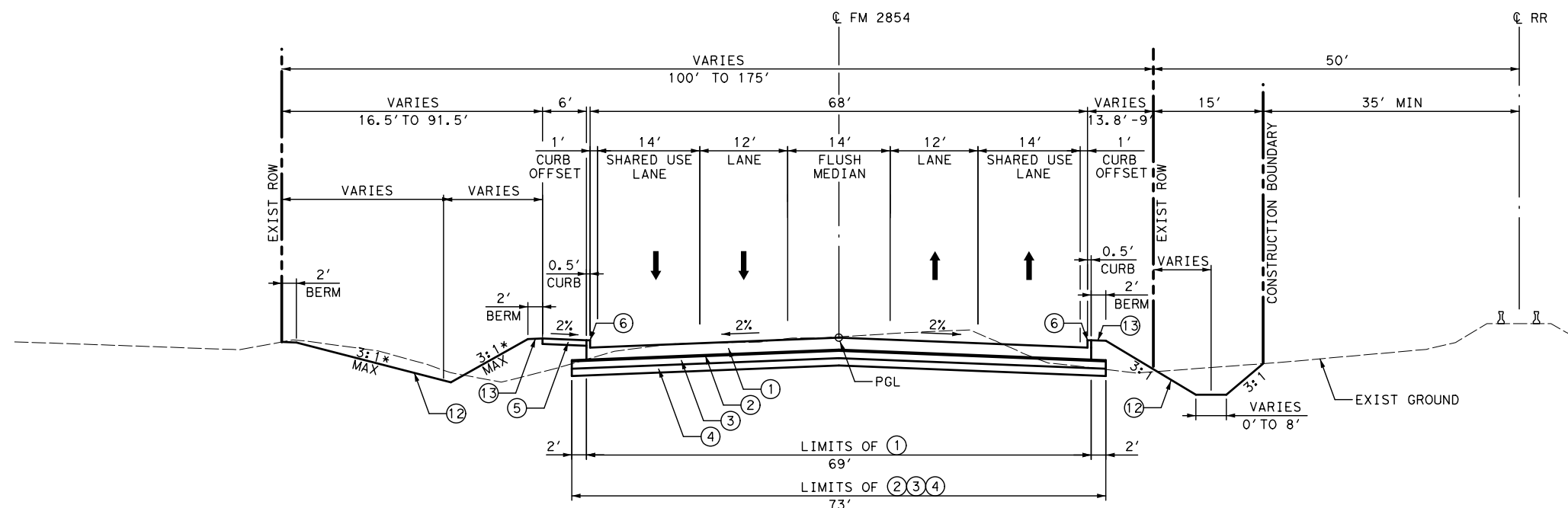
FM 2854 - RECONSTRUCTION

PROPOSED TYPICAL SECTIONS

SHEET 1 OF 4

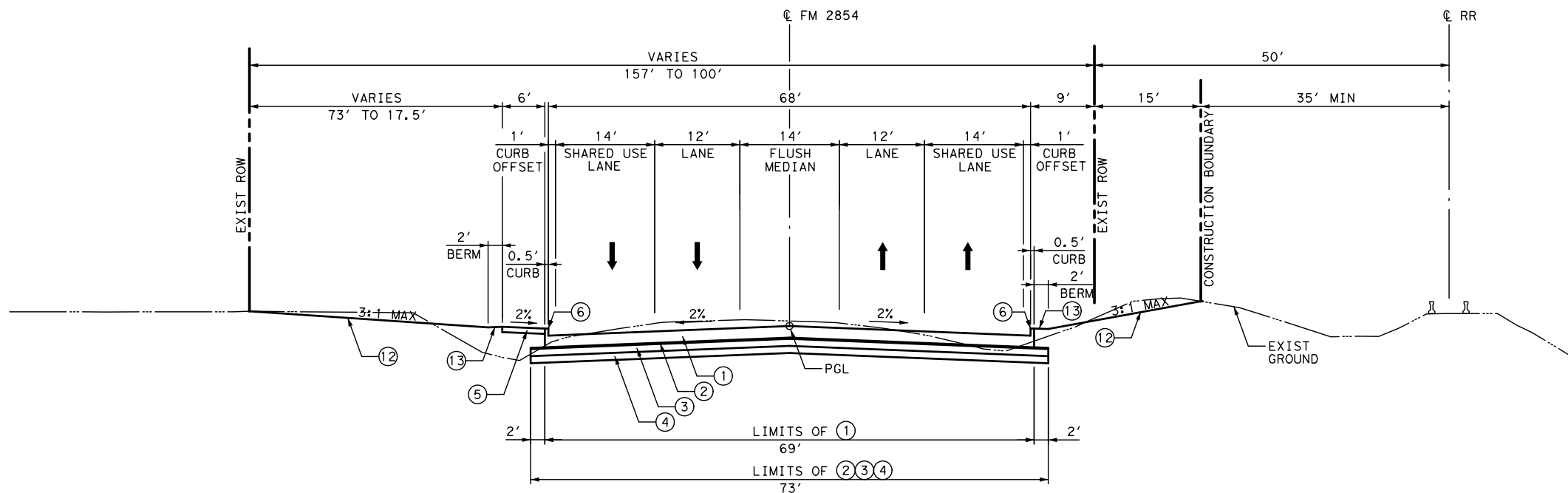
DSN:	FED. RD. DIV. NO.	STATE	PROJECT NO.	HIGHWAY NO.		
CK:	6	TEXAS		FM2854		
DRN:	STATE DISTRICT	COUNTY	CONTROL NO.	SECTION NO.	JOB NO.	SHEET NO.
CK:	HOU	MONTGOM.	2744	01	011	6

DATE: 6/15/2014 5:24:51 PM
 FILE: R:\22207039\CADD\Sheets\011GTY_02.dgn



PROPOSED TYPICAL SECTION (NTS) C

STA 160+70.50 TO STA 161+16.14 (EB)
STA 161+16.14 TO STA 190+00.00 (EB)
STA 191+50.00 TO STA 195+00.00 (EB)
STA 195+00.00 TO STA 195+50.00 (EB)
STA 199+57.00 TO STA 201+00.00 (WB)
STA 201+00.00 TO STA 202+50.00 (WB)
STA 219+00.00 TO STA 219+50.00 (WB)
STA 219+50.00 TO STA 219+65.00 (WB)
STA 226+50.00 TO STA 226+75.00 (WB)
STA 226+75.00 TO STA 229+50.00 (EB)
STA 231+20.00 TO STA 232+00.00 (WB)
STA 232+00.00 TO STA 234+84.59 (WB)
STA 234+84.59 TO STA 254+25.00 (EB)



PROPOSED TYPICAL SECTION (NTS) D

STA 190+00.00 TO STA 191+50.00 (WB)
STA 191+50.00 TO STA 195+00.00 (WB)
STA 201+00.00 TO STA 202+50.00 (EB)
STA 202+50.00 TO STA 219+00.00 (EB)
STA 219+00.00 TO STA 219+50.00 (EB)
STA 226+75.00 TO STA 229+50.00 (WB)
STA 229+50.00 TO STA 231+20.00 (WB)
STA 231+20.00 TO STA 232+00.00 (EB)
STA 234+84.59 TO STA 259+21.00 (WB)

- LEGEND:**
- ① 10" CRCP
 - ② 1" ASB
 - ③ 6" CEMENT TREATED BASE
 - ④ 6" LIME OR CEMENT TREATED SUBGRADE
 - ⑤ 4 1/2" CONC SIDEWALK
 - ⑥ 6" MONO CURB
 - ⑦ 6" CONC DRIVEWAY (SEE DRWY DTLS)
 - ⑧ MBGF
 - ⑨ PED RAMP
 - ⑩ RETAINING WALL (SEE WALL LAYOUTS)
 - ⑪ RIPRAP (CONC) (CL B) (5")
 - ⑫ BROADCAST SEED
 - ⑬ BLOCK SODDING
 - ⑭ COMBINATION RAIL TY C402
 - ⑮ 1/2" D-GR HMA (QCQA) TY-D
 - ⑯ 1/2" D-GR HMA (QCQA) TY-D (LEVEL-UP)
 - ⑰ 10" ASB
 - ⑱ MOW STRIP
 - (X) TYPICAL SECTION DESIGNATOR
 - ➔ DIRECTION OF TRAFFIC

NOTES:

1. PROPOSED RIPRAP TO MATCH EXISTING DITCH GRADES AND DRAIN TO EXISTING CULVERT AND INLET. SLOPES NOT TO EXCEED 3:1. SEE RIPRAP DETAIL SHEET (TO BE INCLUDED IN 60% SUBMITTAL).

INTERIM REVIEW DOCUMENT ONLY
 This document is released to TxDOT on June 6, 2014, by Ryan Josefovsky, P.E. No. 98641 and is not intended for construction, bidding or permitting.

NO.	DATE	REVISION	APPROV.

Texas Department of Transportation
 © 2014

3131 Briarpark, Suite 200
 Houston, Texas 77042
 (713) 622-1444

PG&A TYPE REG. NO. F-2742

FM 2854 - RECONSTRUCTION

PROPOSED TYPICAL SECTIONS

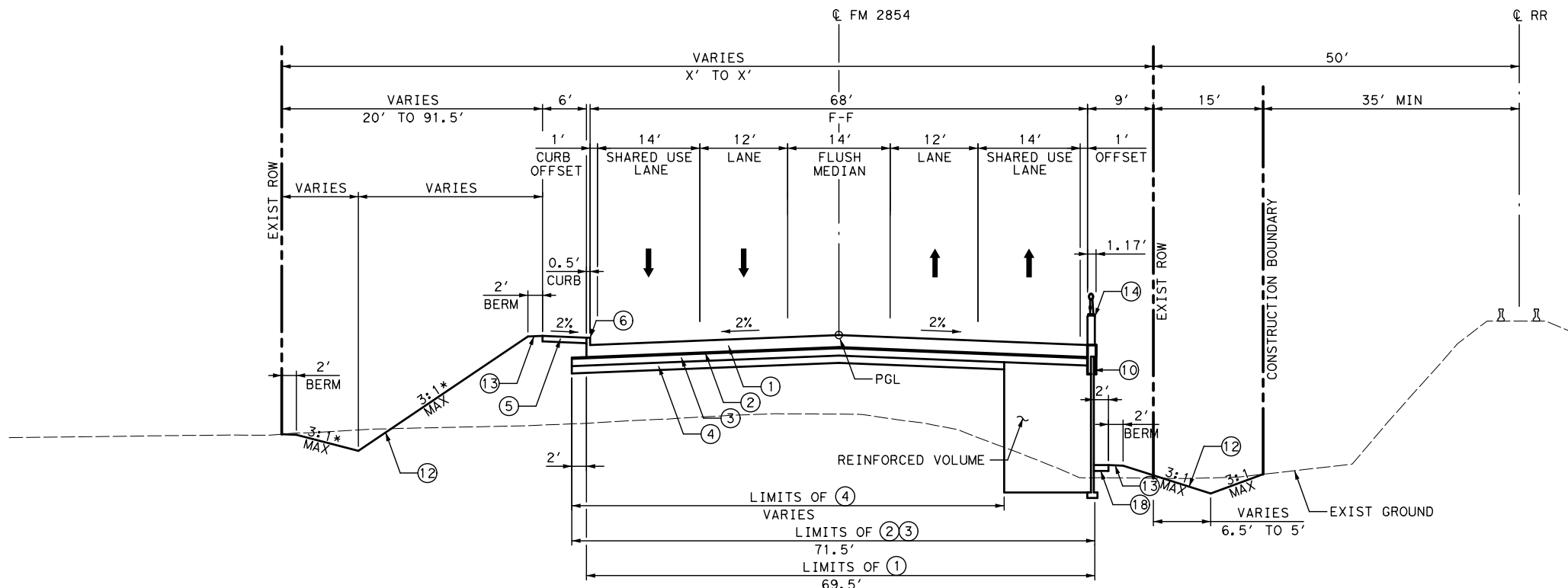
SHEET 2 OF 4

DSN:	FED. RD. DIV. NO.	STATE	PROJECT NO.	HIGHWAY NO.
CK:	6	TEXAS		FM2854
DRN:	STATE DISTRICT	COUNTY	CONTROL SECTION NO.	JOB NO.
CK:	HOU	MONTGOM.	2744 01	011
				SHEET NO. 7

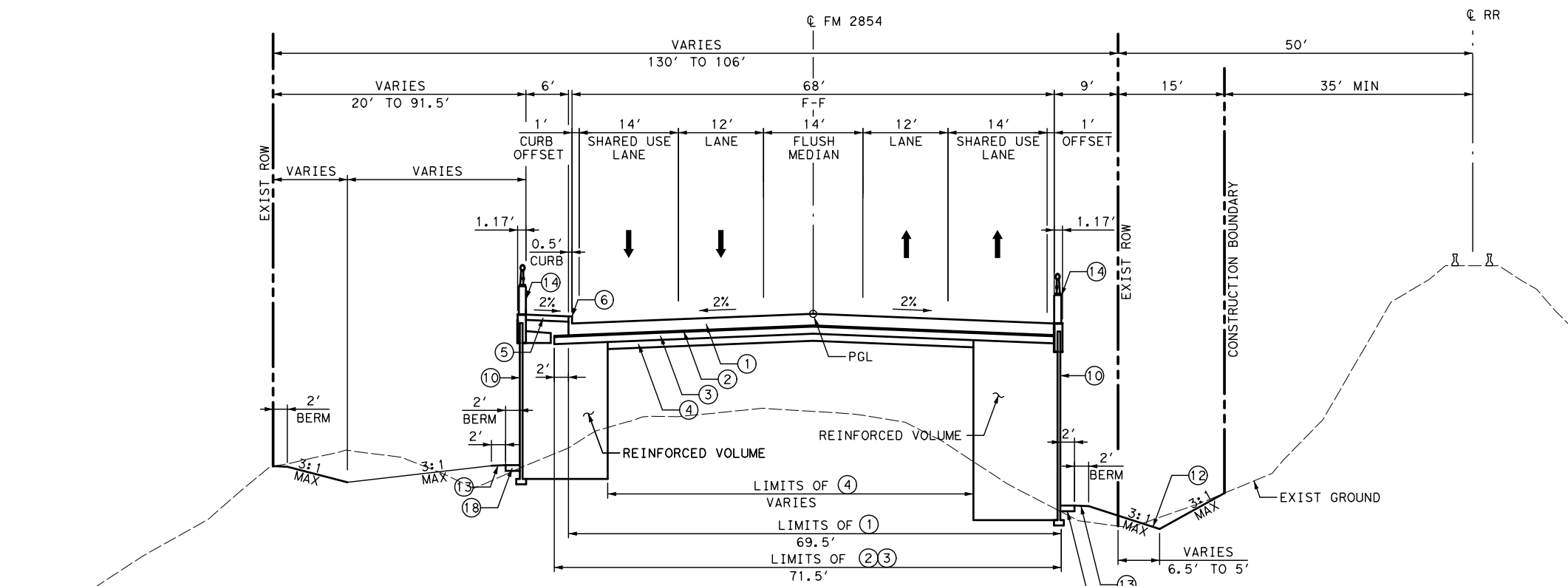
R:\22207039\CADD\Sheets\011GTY*02.dgn

LEGEND:

- ① 10" CRCP
- ② 1" ASB
- ③ 6" CEMENT TREATED BASE
- ④ 6" LIME OR CEMENT TREATED SUBGRADE
- ⑤ 4½" CONC SIDEWALK
- ⑥ 6" MONO CURB
- ⑦ 6" CONC DRIVEWAY (SEE DRWY DTLS)
- ⑧ MBGF
- ⑨ PED RAMP
- ⑩ RETAINING WALL (SEE WALL LAYOUTS)
- ⑪ RIPRAP (CONC) (CL B) (5")
- ⑫ BROADCAST SEED
- ⑬ BLOCK SODDING
- ⑭ COMBINATION RAIL TY C402
- ⑮ 1½" D-GR HMA (QCQA) TY-D
- ⑯ 1½" D-GR HMA (QCQA) TY-D (LEVEL-UP)
- ⑰ 10" ASB
- ⑱ MOW STRIP
- (X) TYPICAL SECTION DESIGNATOR
- ➔ DIRECTION OF TRAFFIC



PROPOSED TYPICAL SECTION (NTS) E
 STA 195+50.00 TO STA 199+57.00
 STA 219+65+00 TO STA 221+66.25
 STA 224+01.25 TO STA 226+50.00
 STA 254+25.00 TO STA 259+21.00



PROPOSED TYPICAL SECTION (NTS) F
 STA 221+66.25 TO STA 224+01.25
 STA 259+21.00 TO STA 259+93.60
 STA 259+93.60 TO STA 260+36.81 (WB)
 STA 261+22.48 TO STA 261+65.69 (EB)
 STA 261+65.69 TO STA 264+49.50
 STA 264+49.50 TO STA 264+63.63 (WB)

INTERIM REVIEW DOCUMENT ONLY
 This document is released to
 TxDOT on June 6, 2014, by
 Ryan Josefovsky, P.E.
 No. 98641 and is not intended
 for construction, bidding
 or permitting.

NO.	DATE	REVISION	APPROV.



PGAL TYPE REG. NO. F-2742
 3131 Briarpark, Suite 200
 Houston, Texas 77042
 (713) 622-1444

FM 2854 - RECONSTRUCTION

PROPOSED TYPICAL SECTIONS

SHEET 3 OF 4

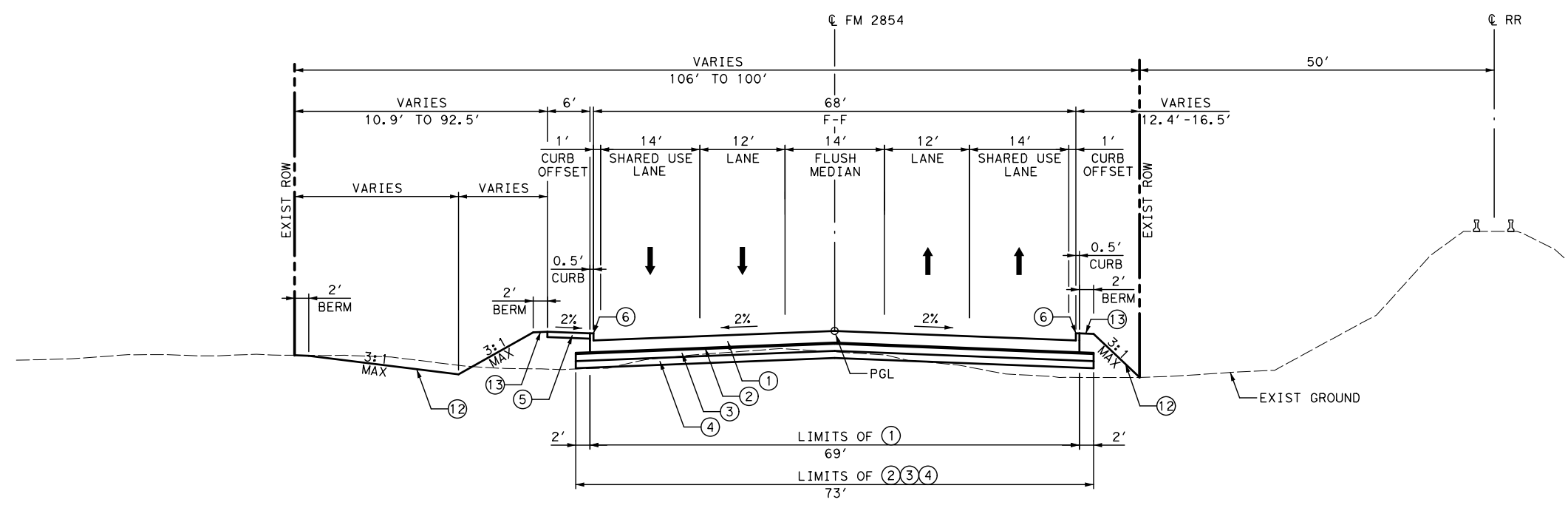
DSN:	FED. RD. DIV. NO.	STATE	PROJECT NO.	HIGHWAY NO.
CK:	6	TEXAS		FM2854
DRN:	STATE DISTRICT	COUNTY	CONTROL SECTION NO.	JOB NO.
CK:	HOU	MONTGOM.	2744 01	011
				SHEET NO. 8

DATE: 6/15/2014 5:24:52 PM
 FILE: R:\22207039\CADD\Sheets\011GTY_03.dgn

R:\22207039\CADD\Sheets\011GTY#03.dgn

LEGEND:

- ① 10" CRCP
- ② 1" ASB
- ③ 6" CEMENT TREATED BASE
- ④ 6" LIME OR CEMENT TREATED SUBGRADE
- ⑤ 4½" CONC SIDEWALK
- ⑥ 6" MONO CURB
- ⑦ 6" CONC DRIVEWAY (SEE DRWY DTLS)
- ⑧ MBGF
- ⑨ PED RAMP
- ⑩ RETAINING WALL (SEE WALL LAYOUTS)
- ⑪ RIPRAP (CONC) (CL B) (5")
- ⑫ BROADCAST SEED
- ⑬ BLOCK SODDING
- ⑭ COMBINATION RAIL TY C402
- ⑮ 1½" D-GR HMA (QCQA) TY-D
- ⑯ 1½" D-GR HMA (QCQA) TY-D (LEVEL-UP)
- ⑰ 10" ASB
- ⑱ MOW STRIP
- (X) TYPICAL SECTION DESIGNATOR
- ➔ DIRECTION OF TRAFFIC



PROPOSED TYPICAL SECTION (NTS)
 STA 264+49.50 TO STA 264+63.63 (EB) G
 STA 264+63.63 TO STA 266+97.51

INTERIM REVIEW DOCUMENT ONLY
 This document is released to
 TxDOT on June 6, 2014, by
 Ryan Josefovsky, P.E.
 No. 98641 and is not intended
 for construction, bidding
 or permitting.

NO.	DATE	REVISION	APPROV.



PGAL TYPE REG. NO. F-2742
 3131 Briarpark, Suite 200
 Houston, Texas 77042
 (713) 622-1444

FM 2854 - RECONSTRUCTION
PROPOSED TYPICAL SECTIONS

SHEET 4 OF 4

DSN:	FED. RD. DIV. NO.	STATE	PROJECT NO.	HIGHWAY NO.
CK:	6	TEXAS		FM2854
DRN:	STATE DISTRICT	COUNTY	CONTROL SECTION NO.	JOB NO.
CK:	HOU	MONTGOM.	2744 01	011
				SHEET NO.
				9